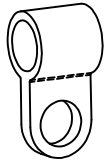

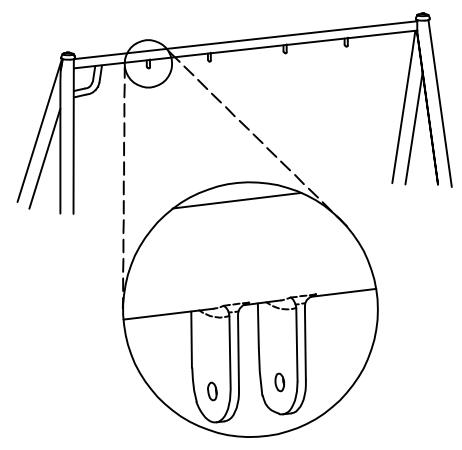
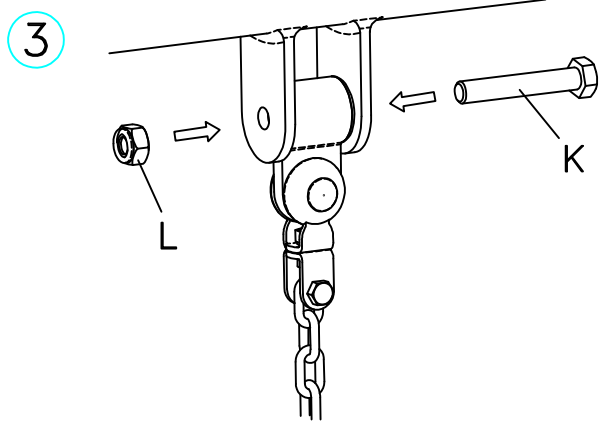
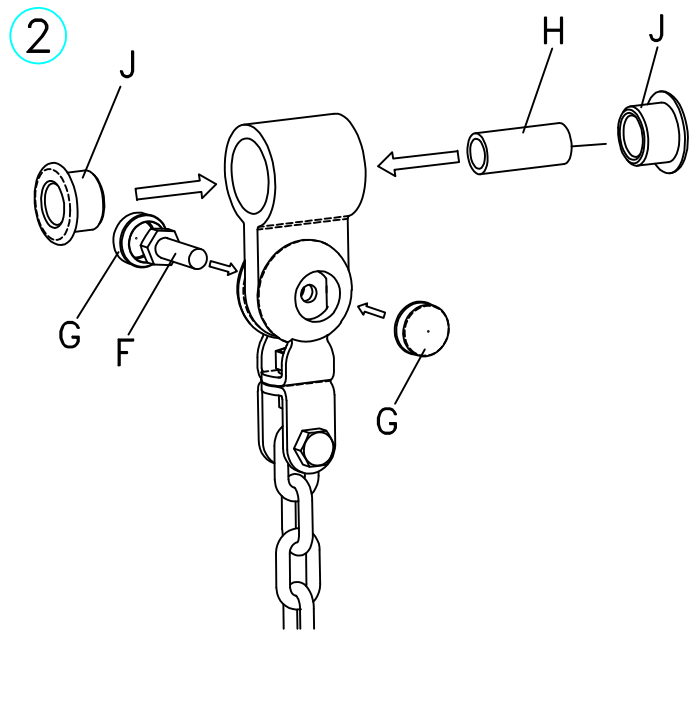
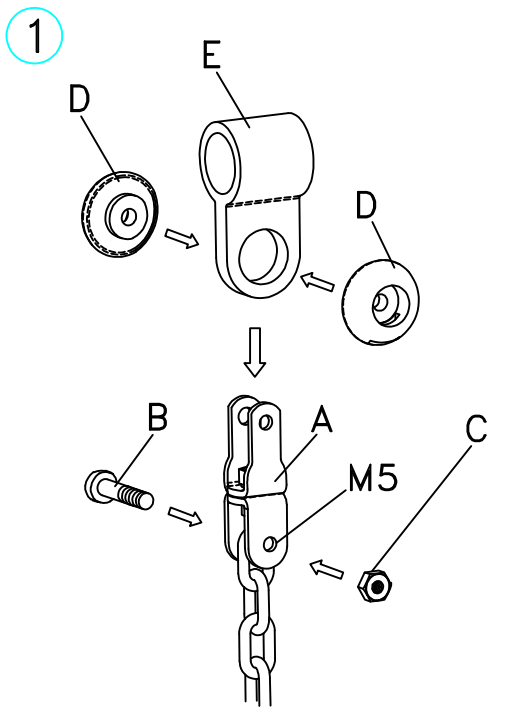




POS	ART-NR	TYPE	NAME	QUANT
A	330107-01	PART	SWIVEL FOR SWINGSEAT	2
B	302923	BOLT	MRX M6x23	2
C	324111	LOCK NUT	M6	2
D	261821	BUSH	6MM BUSH FOR SHACKLE	4
E	260269	PART	SWING JOINT ALU	2
F	302108	BOLT	M6S M6X20	2
G	261822	CAP	6MM CAP INSERT	5
H	260280	SLEEVE	SPACING SLEEVE	2
J	260279-01	BUSHING	TPU	4
K	302213	BOLT	M6S M10x55	2
L	324103	LOCK NUT	M10	2

TYPE	HAGS NO.
 (2X)	260269
 (2X)	330107-01



**HAGS** ANEBY, SWEDEN  
+46\_(0)380-47300  
www.hags.com

R260269

 JGA  PK 2019-12-12 | 1